



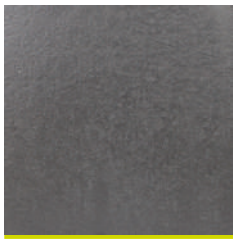
Mannok Rooftiles are manufactured to the latest European standard BS EN 490. Every Tile produced carries with it the Kitemark seal of approval that confirms our products outstanding quality and appeal. Mannok Rooftiles have sustained investment to manufacture Rooftiles of outstanding quality, character and style.

Description

The Rathmore is a flat concrete interlocking tile with a smooth finish. Its thin leading edge and hidden interlocking features provides a slate like appearance when fitted at a truly economical price. It is available in the following colours: Slate Grey, Graphite, Matt Black, and Blue Black. Colours such as Clay Red and Turf Brown may also be available upon request.



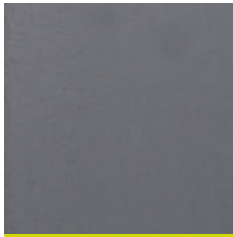
Blue / Black



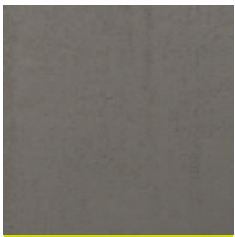
Matt Black



Gloss Black



Graphite



Slate Grey

Packaging

No. of tiles/pallet - 240

Fixings

For a full range of fixing alternatives and requirements please refer to BS 5534

Nails	40mm x 3.35mm alloy ringshank
Batten Fixing	Standard Lakeland Range Tile Clip
Eave Fixing	Standard Lakeland Range Eave Clip
Verge Fixing	Standard Lakeland Range Verge Clip - Mortar bedding on mineral fibre strip. Quinn dry verge system (individual units)

Technical Properties

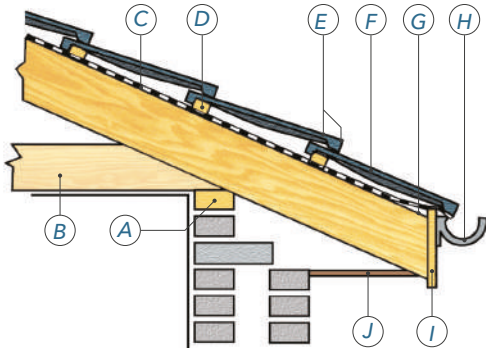
Size	420mm x 334mm			
Minimum Pitch	17.5°			
Maximum Pitch	90°			
Minimum Headlap	17.5° - 22.5° 100mm (min) above 22.5° 75mm (min)			
Maximum Gauge	345mm			
Linear cover	300mm - 302mm			
Covering Capacity	Headlap	Gauge	No. Tiles/m ²	
	75mm	345mm	9.7	
	100mm	320mm	10.4	
Surface	Smooth			
Weight (approx.)	at 320 gauge 48kg/m ²			
Weight (approx.)	4.6 tonnes per (1,000 tiles)			
Nominal Batten size (mm)*	Rafter Centres (mm)			
	UK		ROI	
	≤450	451-600	≤400	401-600
	38x25	50x25	50x36	50x36
Battens required (nett)	3.1 metre/m ² (at 320mm gauge)			
Abutment	Secret Gutter (cover Flashing)			
Eaves	Standard Tile			
Ridge/Hip	457mm angle type, Ridge Tile butt-jointed			
Valley	Open metal valley / Open trough valley lead lining (or other approved lining)			

* Note: Refer to National Standard

MANNOK

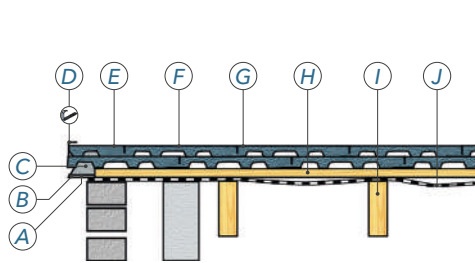
RATHMORE

EAVES DETAILS



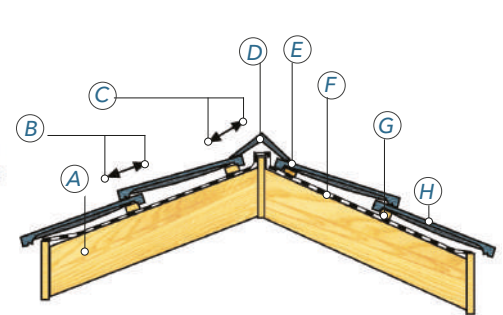
- A Wall Plate
- B Ceiling Joist
- C Underfelt carried into Gutter
- D Battens at Max 320 Gauge
- E Min 75mm Headlap
- F 420x334 Rathmore Tile
- G Angle Fillet
- H Gutter
- I Fascia
- J Soffit with Ventilation Holes

STANDARD VERGE BEDDED AND CLIPPED



- A 115mm Undercloak
- B 38-50mm Overhang
- C Mortar Bed
- D Stainless Steel Verge Clip
- E 420x150mm Left Hand Verge Half Tile
- F 420x300mm Left Hand Verge Tile
- G 420x334 Rathmore Tile
- H Batten
- I Rafter
- J Underfelt

RIDGE



- A Rafter
- B Min 75mm Headlap
- C Min 75mm Headlap
- D Angle Ridge Tile
- E Continuous Edge Bedding
- F Under Felt
- G Battens (to suite rafter centres) at Max 345 Gauge
- H Standard Tile

TILES

The roof is to be covered with Rathmore flat tiles as per sample approved and laid in even courses of not more than 345mm gauge and not less than 75mm headlap depending of roof pitch. The tiling is to be broken bonded.

BATTENS

Approved quality softwood tiling battens to be laid to the correct gauge determined by the roof pitch (see Technical Information). The joints of the battens should always meet half way across top of rafters. See overleaf for Batten sizes.

VALLEYS

Valley dimensions for roof products should conform to the minimum recommendations show in figures 4 and 5. of SR 82 and table 11 of BS 5534. Valley should be constructed in accordance with the guidance given in BS 5534 and SR 82.

UNDERLAY

Underlay should have adequate resistance and stiffness against wind uplift loads, and the roof designed so that when uplift occurs there is no contact with the underside of the tile. Suitability of the type of underlay will depend on factors such as roof pitch and whether it is supported or unsupported.

VERGES

Where the verge is to be wet bedded, the fibre cement undercloak should be laid and fixed (rough side up) to give the required overhang and should be a minimum 150mm wide. On masonry walls the undercloak should be bedded in mortar or mastic. On timber rafters/barge boards the undercloak should be fixed securely with clout nails. A minimum 100mm fully compressed bed of mortar should be laid onto the undercloak for bedding on to. Mannok dry verge systems are a preferred alternative. Two systems are available: continuous and individual units. The fixing instruction should be read prior to installation and strictly adhered to.

RIDGE AND HIP

The ridges and hips are to be covered with Universal Angle Ridge tiles. The ridge tiles must provide a minimum cover of 75mm over the top course of tiles and fixed in accordance with BS 5534. Hip tiles should be bedded in mortar or laid dry using a proprietary system. Where bedded in mortar, mechanical fixings including hip irons may be required.

EAVES

Eaves to be formed with standard tiles and eaves filler supplied by manufacturer. The eaves course must be laid at the same pitch as the rest of the roof.

ABUTMENTS

All tiles located adjacent to the abutment should be fitted or cut close to its face. All tiles at the abutment must be mechanically fixed as perimeter tiles. Flashing and gutter details should be followed as per the national standard in the place of use.